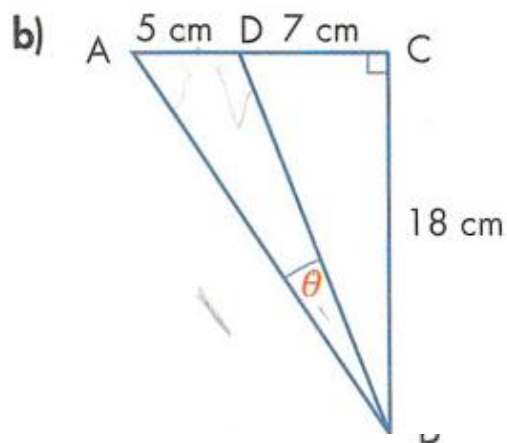
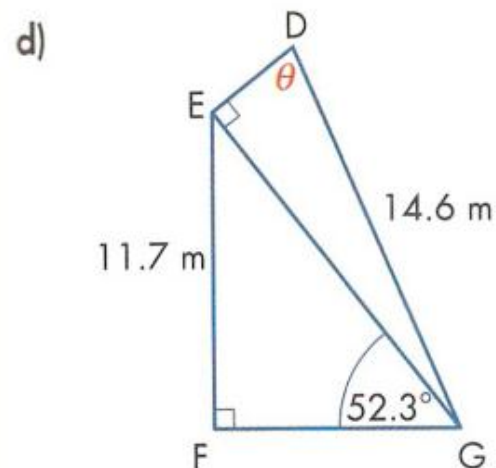
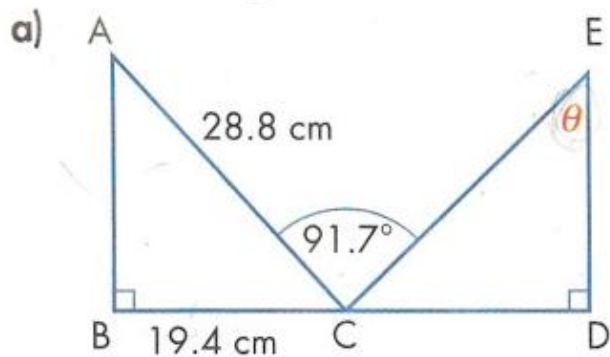
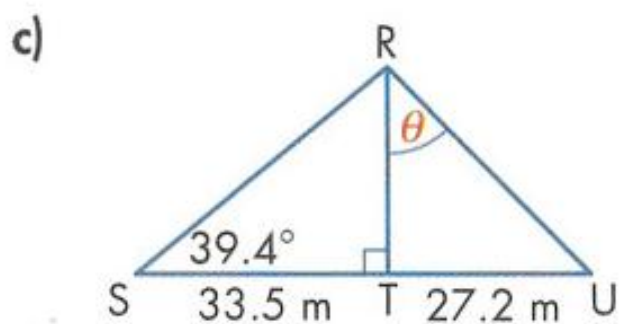
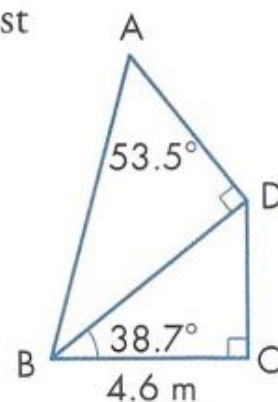


Math 2 – 3D Triangle Trigonometry

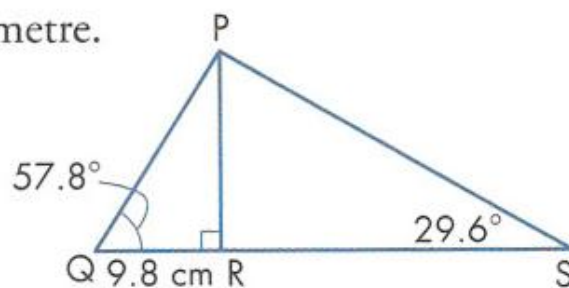
4. Find the measure of $\angle \theta$, to the nearest tenth of a degree.



5. Find AB, to the nearest tenth of a metre.

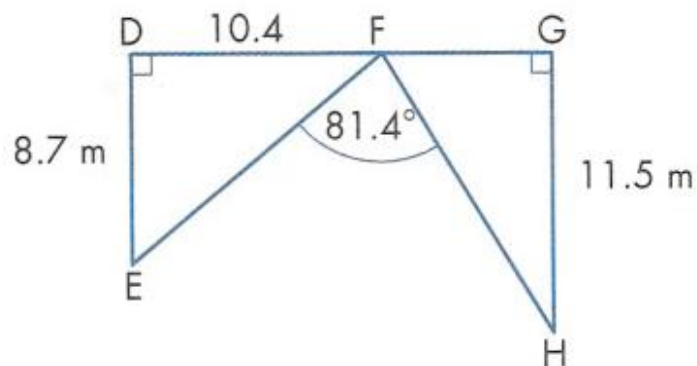


6. Find RS, to the nearest tenth of a centimetre.

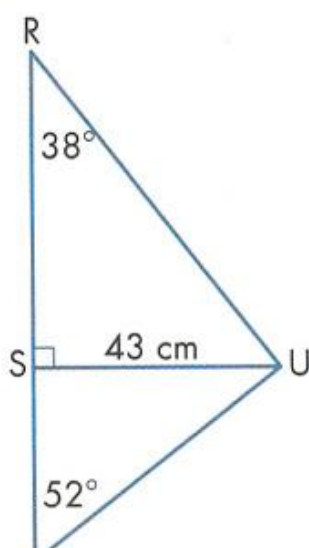


Math 2 – 3D Triangle Trigonometry

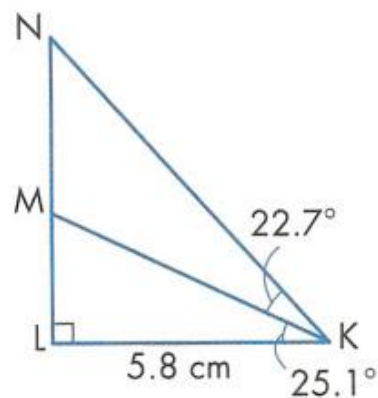
7. Find FH, to the nearest tenth of a metre.



8. Find RT , to the nearest centimetre.



9. Find MN , to the nearest tenth of a centimetre.



10. Find AB , to the nearest metre.

